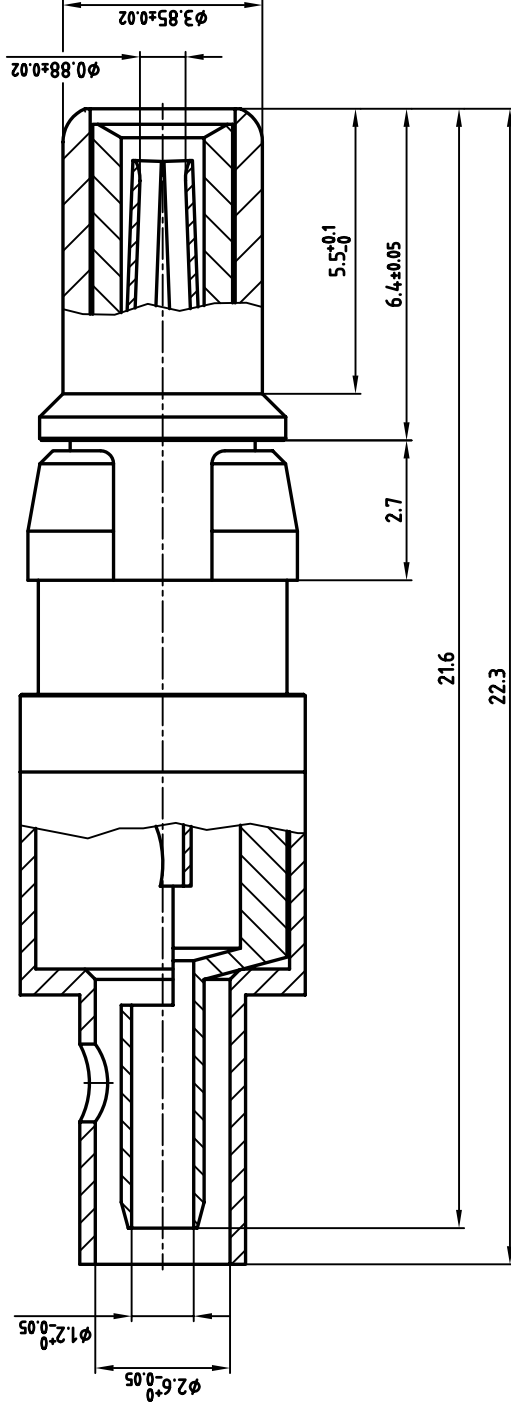


used for: D-SUB COMBINATION



THIS DRAWING MAY NOT BE COPIED OR REPRODUCED IN ANY WAY, AND MAY NOT BE PASSED ON TO A THIRD PARTY WITHOUT WRITTEN PERMISSION.
OWNERSHIP AND COPYRIGHT OF CONEC GMBH
DO NOT ALTER CAD DRAWING BY HAND

rev.	description	date	name

tolerance	symbol	date	name

scale: 10:1
material:
title:
AutoCAD 2000 DIN-A 3 sh:2/2

COAXIAL CONTACT PLUG 50 OHM
inner conductor for solder termination
outer conductor crimp or solder termination
dwg no: 13K2IV6A
part no: 131J20019X



1 2 3 4 5 6 7 8

F

E

D

C

B

A

F

E

D

C

B

A

1 2 3 4 5 6 7 8